

Water Technologies & Solutions

CheckPoint Pharma and CheckPoint^e On-Line/Portable TOC Sensors



ready for the resource revolution



Measure low-level total organic carbon (TOC) *anywhere, anytime* with the new **CheckPoint Pharma and CheckPoint®** On-Line/Portable Total Organic Carbon (TOC) sensors. Affordable, versatile, and portable, the CheckPoint sensors can be used online for continuous monitoring or hand-carried to any point in a water system for rapid diagnostic sampling and troubleshooting.

The two CheckPoint models have the same specifications except as follows:

- The CheckPoint Pharma has a dynamic range of 0.21 to 1,000 ppb and can measure TOC in hot or ozonated water. It meets US, European, Chinese, and Indian Pharmacopeia specifications.
- The CheckPoint®, which is designed to meet the greater sensitivity requirements of the semiconductor, power, and other markets, has a dynamic range of 0.05 to 1,000 ppb.

key benefits

Cost Effective — The CheckPoint sensors use the simple TOC methodology of measuring initial sample conductivity, UV oxidation of organics, and a final, post-UV conductivity measurement (Direct Conductometric). They provide a reliable low-cost TOC approach useful for pharmaceutical Purified Water (PW) and Water for Injection (WFI) and semiconductor ultrapure water (UPW) monitoring applications.

Rapid Analysis — The two sensors provide the rapid results and fast rinsedown required for time-critical diagnostics and troubleshooting. Featuring a default measurement every 15 seconds, users can adjust output intervals from 15 seconds up to eight hours.

Versatility and Convenience — The sensors can be used for continuous on-line monitoring, rapid on-line monitoring, or grab sampling. They also feature advanced digital communication capabilities, including Ethernet (Modbus TCP/IP), and a USB port for easy data download.

Easy to Use with Low Maintenance — The reagentless CheckPoints are easy to operate and need minimal maintenance. Calibration is typically stable for six months.

Sensor-to-Sensor Matching — The sensors can be calibrated to a reference TOC instrument, allowing excellent low-level TOC sensor-to-sensor matching.

Pharmaceutical — The CheckPoint Pharma provides pharmaceutical manufacturers with a cost-effective and flexible process monitor for process trending, screening potential trouble areas, and diagnosing problems in real time. The CheckPoint Pharma can be placed at a dedicated point of use or conveniently moved throughout the pharmaceutical manufacturing facility for multi-point water monitoring, diagnostics, and troubleshooting. The CheckPoint Pharma comes with a simple and convenient Standard Operating Procedure (SOP) to meet installation, operation, and performance qualification requirements.

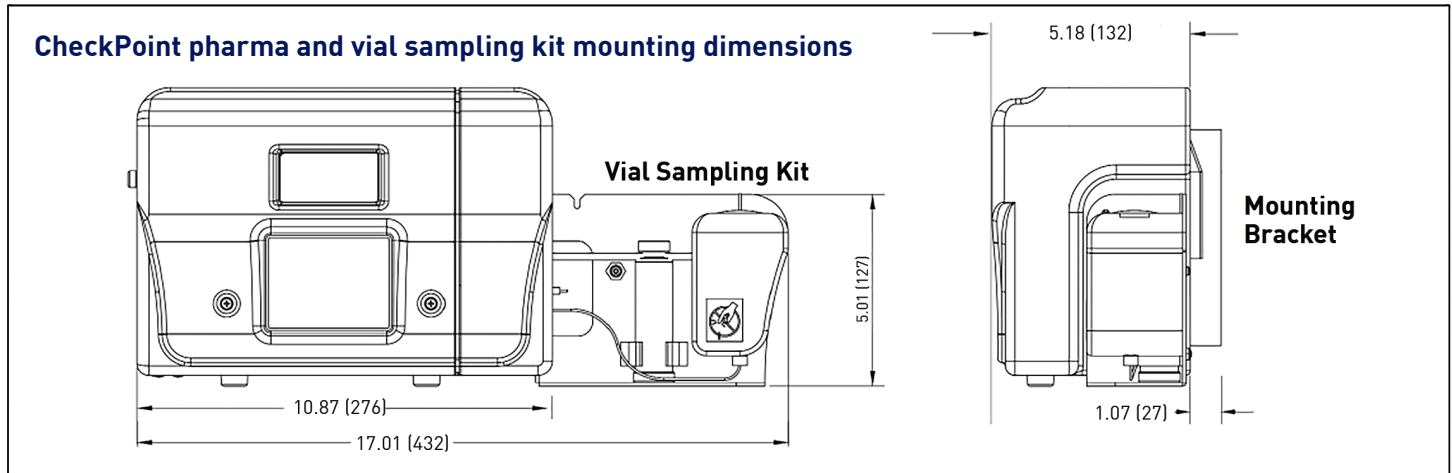
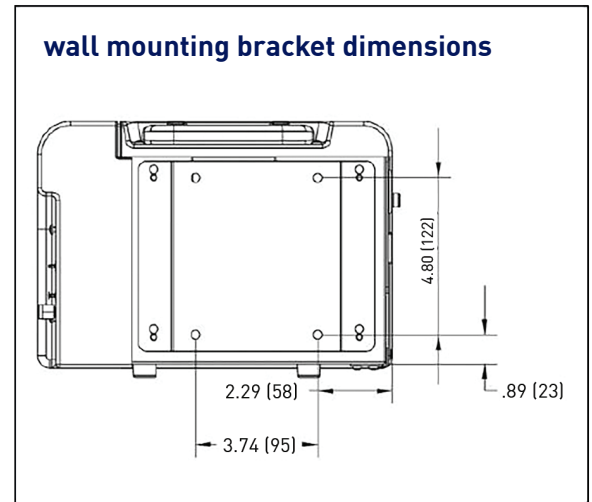
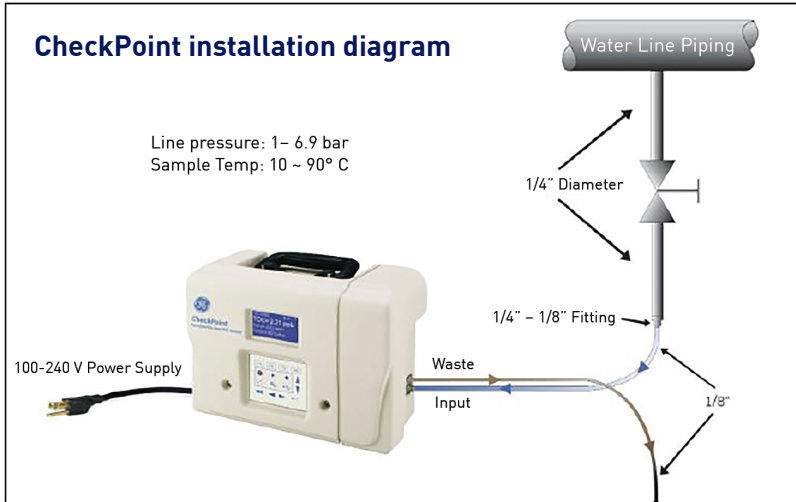
Hard Disk, Thin Display, and Semiconductor — The CheckPoint®'s low cost and portability gives microelectronics manufacturers new problem-solving and diagnostic capabilities. In addition to providing continuous on-line TOC monitoring to detect critical ultrapure water changes, the CheckPoint® sensor makes it possible to quickly check TOC samples from pressurized or non-pressurized sources. CheckPoint® can also monitor UPW distribution points or fab tools for potential contamination sources.

Power (UPW, Cation Conductivity Control, Makeup, or Cogeneration Condensate Polish Control) — The CheckPoint® provides sensitive detection of trace organic contamination in power feed and loop UPW. Controlling cation conductivity can be difficult if its source is non-ionic organics. High pressures and temperatures in power plant water cycles can oxidize Cl, S, or N containing non-ionic organics to extremely corrosive hydrochloric, sulfuric, or nitric acids. The CheckPoint® has an enhanced response to these compounds and can rapidly indicate their presence in makeup or condensate water. Rapid detection of other UPW system problems is easy with CheckPoint®'s ultra portability and diagnostic features.

CheckPoint highlights

- Enables on-line and off-line testing in one instrument
- Display screen and documentation available in English, Chinese, or Japanese
- Self-contained pump for easy system suitability and calibration testing
- Ethernet Modbus transmission to facilitate data system
- IQ/OQ/PQ validation protocols provided
- User-friendly TOC graph that indicates trends
- Stores 28,800 records with TOC display data accessible using USB memory stick

CheckPoint installation diagrams



options and accessories

I/O Board — The optional I/O board has three programmable analog outputs (select from TOC, raw conductivity, temperature- compensated conductivity or resistivity, error, warning, or standby options), one binary input (remote start/stop), and two alarms with 24 V supply.

Vial Sampling Kit — The CheckPoint Vial Sampling Kit, which attaches easily to the Sensor, allows users to measure standards and grab samples.

Low-Pressure Sampling Kit — This includes Teflon and stainless steel sampling tubes and a waste bag for collecting zero- pressure samples in the laboratory or fab.

Sample Inlet Filter — The 60- μ m sample inlet filter is recommended for on-line monitoring.

ordering information

Pharmaceutical Industry

Checkpoint TOC sensor — basic model
Checkpoint with I/O board

Part Number

PRD 97150
PRD 97160

Electronics/Semiconductor Industry

Checkpoint® TOC sensor — basic model
Checkpoint® with I/O board

PRD 97000
PRD 97100

Options

Vial Sampling Kit
Checkpoint In-line Filter Kit (60 μ m)
Printer
40-mL Certified Sample Vials (Case of 72)

APK 97900
APK 97300
HMI 97050
HMI 90606

Consumables

One-year kit (2 UV lamps and 2 pump heads)
One UV lamp (6-month continuous use)
One pump head (6-month continuous use)

APK 97010
ARK 35001
APK 97000

system specifications¹

total organic carbon

Linear Range (CheckPoint Pharma)	0.21–1,000 ppb C
Linear Range (CheckPoint [®])	0.05–1,000 ppb C
Accuracy	± 5% at 500 ppb C of sucrose ^{2,3}
Precision (CheckPoint Pharma)	The greater of <1% RSD or 0.21 ppb for on-line measurements; ≤3.0% RSD at 500 ppb for grab samples
Precision (CheckPoint [®])	The greater of <1% RSD or 0.05 ppb for on-line measurements; ≤3.0% RSD at 500 ppb for grab samples
Analysis Modes	On-line (average or timed); grab (with optional Vial Sampling Kit)
Analysis Time	Selectable: 15 seconds to 8 hours on-line mode; 10 minutes grab mode
Ozone Compatibility (CheckPoint Pharma)	50 ppb O ₃ ; 200 ppb O ₃ for 2 hours daily


conductivity/resistivity

Conductivity/Resistivity Range for CheckPoint [®]	
Non-Temperature Corrected	0.023 µS/cm (43.5 Mohm-cm) to 150 µS/cm (0.00667 Mohm-cm)
Temperature Corrected to 25 °C	0.055 µS/cm (18.24 Mohm-cm) to 113 µS/cm (0.00885 Mohm-cm)
Conductivity/Resistivity Precision	± 0.5% RSD (20–40 °C or 68–104 °F)
Conductivity/Resistivity Accuracy	± 2.0% ³
Conductivity/Resistivity Calibration Stability	Typically 6 months
Conductivity/Resistivity Range for TOC ⁴	Max 1.4 µS/cm or Min 0.7 MA-cm from CO ₂ ⁴

sensor specifications

On-Line Sample Pressure	103–690 kPa (15–100 psig) (1.0–6.9 bar)
Low Pressure Samples	-6.9–55 kPa (-1.0 to 8 psig) (-0.069-0.55 bar) with optional Low Pressure Sampling Kit
Required Sample Line Flow Rate	60 mL/min (high pressure) or 1 mL/min (low pressure)
Power Requirements	100–240 ±10% VAC, 60 W, 50/60 Hz, or battery
Temperature (CheckPoint Pharma)	Sample: 10–90 °C (50–194 °F); Ambient: 10–55 °C (50–131 °F) ³
Temperature (CheckPoint [®])	Sample: 10–60 °C (50–140 °F); Ambient: 10–40 °C (50–104 °F)
Humidity	90% non-condensing
Altitude	3000 meters
Outputs	Ethernet (Modbus TCP/IP), USB, plus three 4-20 mA, two alarms, and binary input with optional I/O board
Installation/Overtoltage Category	II
Dimensions	H: 25.40 cm (10.0 in); W: 30.48 cm (12.0 in); D: 15.24 cm (6.0 in)
Dimensions with Vial Sampling Kit	H: 25.40 cm (10.0 in); W: 34.87 cm (13.7 in); D: 15.24 cm (6.0 in)
Weight — CheckPoint	2.9 kg (6.4 lb)
Weight — Vial Sampling Kit	0.6 kg (1.3 lb)
Industrial Ratings & Safety Certifications	CE, ETL listed. Conforms to UL Std. 61010-1. Certified to CSA C22.2 No. 61010-1

1. Stated analytical performance is achievable under controlled laboratory conditions that minimize operator and standards errors.
2. Total measurement accuracy includes separate contributions from both the standards accuracy and the Instrument Accuracy.
3. Conductivity and accuracy specifications are met as shown above for ambient temperatures from 10–40 °C (50–104 °F). When calibrated at 40 °C, the following specifications are met at 40–55 °C (104–131 °F): conductivity accuracy is ± 2.4%, and TOC accuracy is ± 6.7% on 500 ppb C of sucrose.
4. Sample water quality with a conductivity >1.4 µS/cm may result in reduced TOC accuracy.

 The UV lamp inside this product contains mercury and must be recycled or disposed of in accordance with local, state, and federal laws.

This information herein may be subject to change without notice and is provided for general guidance only. The dimensions and performance of systems, products and services may vary. Pictures are for example purposes and not to scale. All legal obligations are exclusively as set out in contractual documents. Nothing contained herein constitutes a representation, warranty or undertaking.



6060 Spine Road
Boulder, CO 80301-3687 USA
T +1 800 255 6964
T +1 303 444 2009
F +1 303 527 1797
www.sieversinstruments.com



Find a contact near you by visiting www.sieversinstruments.com and clicking on "Contact Us".

* Trademark of SUEZ; may be registered in one or more countries.

2017 © Copyright SUEZ. All rights reserved.